

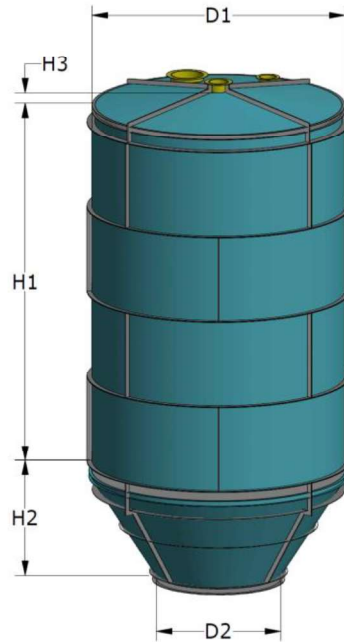
Vessel Data Information Form

ATEX Protection Concept.



For ATEX to produce an accurate Quotation, the following information is required for any particular vessel.

Round Silo's and storage vessels.



Dimensions

H1	mm	D1	mm
H2	mm	D2	mm
H3	mm		
H4	mm		
H5	mm		

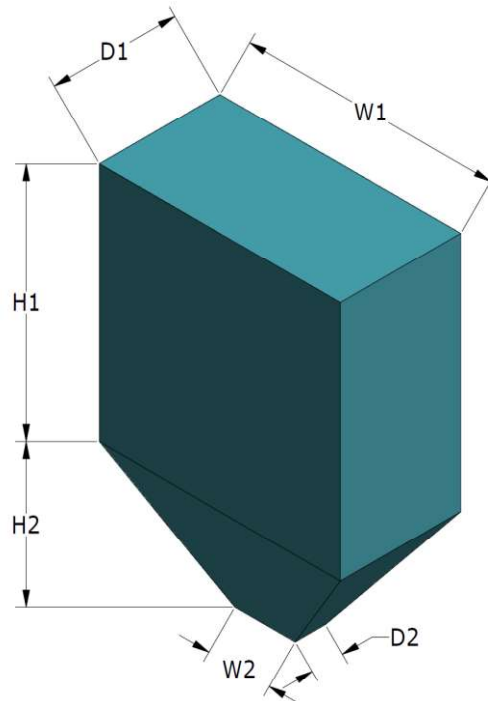
Product Characteristics

Name of Product	
KST-Value	bar.m/s
Pmax	bar

Vessel Data

Design Pressure (Pred)		barg
Vent Duct	Yes	No
Product Temperature		°C
Process Temperature		mbar
Maximum Vacuum		mbar

Square Silo's and storage vessels.



Dimensions

H1	mm	D1	mm
H2	mm	W1	mm
H4	mm	D2	mm
H5	mm	W2	mm

Product Characteristics

Name of Product	
KST-Value	bar.m/s
Pmax	bar

Vessel Data

Design Pressure (Pred)		barg
Vent Duct	Yes	No
Product Temperature		°C
Process Temperature		mbar
Maximum Vacuum		mbar